

TEMPEST[™] excellence

SERVICE BULLETIN

Service Bulletin Number: SB-001

Subject: Fuel Pump Replacement

Applicability: Any AC / Lycoming (or Ray-Jay / Rotormaster modified) diaphragm type fuel pump overhauled or repaired by Aero Accessories, Inc. included in the following list;

AFFECTED MODEL NUMBERS:

40174 , 40295 , 40296 , 40595 , 41234 , 41270 , 41271 , 41272 , 41452 , 41617 , 41812 , 75246 , 75247 , LW14282 , LW15399 , LW15472 , LW15473 , LW16335 , LW16775 , LW16947 , 103396-01 , 103586-01 , RJ4033 , ROO253-2 , ROO253-501 , R00253-502.

AFFECTED SERIAL NUMBERS:

Serial numbers 91K 073 thru 91K 125.

All serial numbers beginning with prefixes 91L , 92A , 92B , 92C , 92D , 92E , 92F , 92G , and 92H 001 thru 92H 146.

TIME OF COMPLIANCE: **Compliance is required immediately.** All affected pumps must be immediately removed from aircraft or engines on which they are installed, for inspection, repair, or replacement. This service must be accomplished before further flight. All pumps in stock or stores with affected model / serial numbers must be returned for inspection prior to installation.

Aero Accessories, Inc. has determined that the installed outside diameter of the diaphragm stem seal in a group of AC / Lycoming diaphragm fuel pumps overhauled by Aero Accessories, Inc. during the period November, 1991 thru August 20, 1992 may vary from unit to unit. This exposes the unsupported edge of the seal to the fuel flow through the pump. If a particle of the seal were to break off, it could lodge in the fuel system and result in partial or complete power loss.

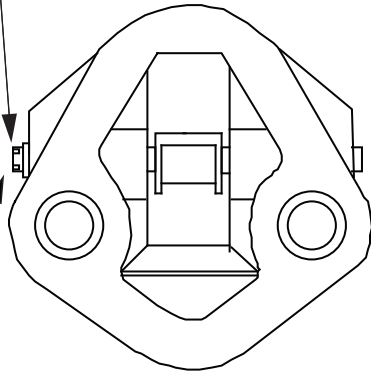
Pumps serviced by Aero Accessories, Inc. on or after August 21, 1992 are in compliance with this Service Bulletin. Pumps returned and inspected, will be stamped with the letter 'S' on the upper casting flange above the inlet port are referenced on Page 2 of this Service Bulletin.

Warranty: Return affected units, freight prepaid to Aero Accessories, Inc. at the address shown on the bottom of this Service Bulletin. The pumps will be processed immediately at no charge and returned freight prepaid to the sender. A one-year warranty beginning on the date of inspection / repair in accordance with this Service Bulletin.

| ISSUED | | | REVISED | | |  Aero Accessories, Inc. 1240 Springwood Avenue Gibsonville, N.C. USA | PAGE No. | REVISION |
|--------|-----|----|---------|-----|----|--|----------|----------|
| MO | DAY | YR | MO | DAY | YR | | 1 of 2 | Original |
| 08 | 21 | 92 | 00 | 00 | 00 | | | |

Service Bulletin Number: SB-001

SWAGED LEVER
PIVOT PIN

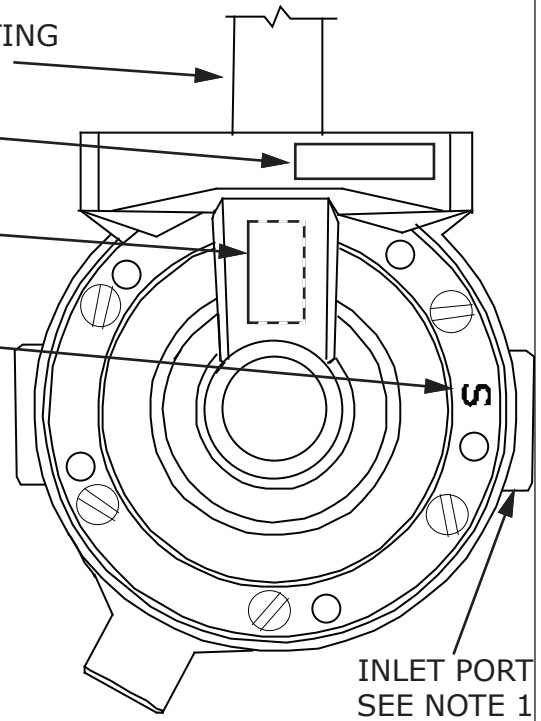


MODEL NUMBER LOCATION

SERIAL NUMBER LOCATION

'S' STAMPED ABOVE INLET PORT
INDICATES COMPLIANCE
WITH SB-001

ACTUATING
LEVER

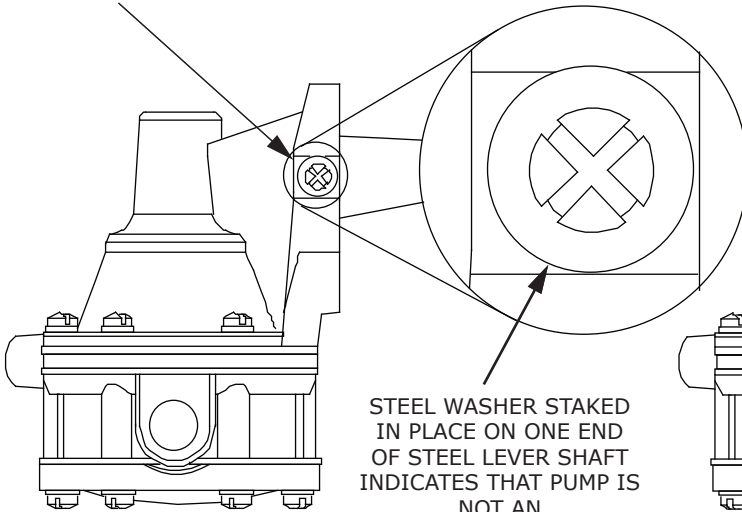


INLET PORT
SEE NOTE 1

TOP VIEW
TYPICAL

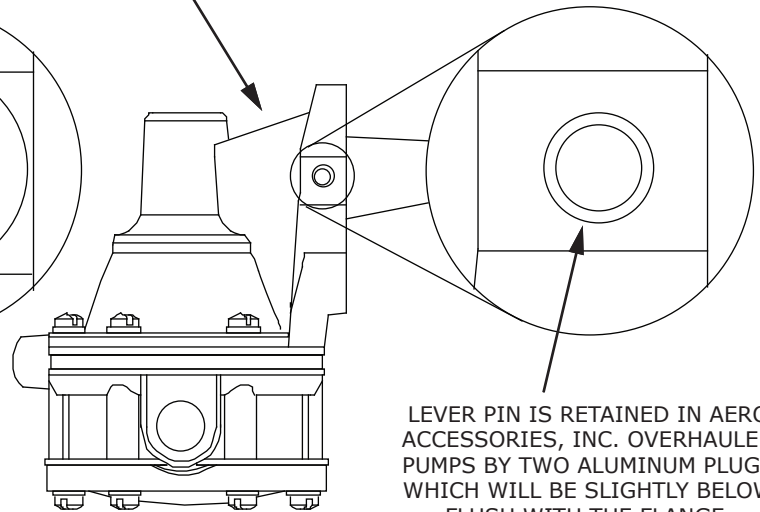
STEEL WASHER
ONE END

SERIAL NUMBER
LOCATION



STEEL WASHER STAKED
IN PLACE ON ONE END
OF STEEL LEVER SHAFT
INDICATES THAT PUMP IS
NOT AN
AERO ACCESSORIES, INC
OVERHAULED PUMP

OEM PUMPS



LEVER PIN IS RETAINED IN AERO
ACCESSORIES, INC. OVERHAULED
PUMPS BY TWO ALUMINUM PLUGS
WHICH WILL BE SLIGHTLY BELOW
FLUSH WITH THE FLANGE
SURFACES ON BOTH SIDES

**AERO ACCESSORIES
PUMPS**

NOTES:

1. Port locations vary on some model pumps.
2. Some OEM units may use the Aluminum Pin Retaining System also, therefore, before removing a pump, verify that the Serial Number is on the affected list. Aero Accessories, Inc. has never used the steel washer system.

| ISSUED | | | REVISED | | |  Aero Accessories, Inc. 1240 Springwood Avenue Gibsonville, N.C. USA | PAGE No. | REVISION |
|--------|-----|----|---------|-----|----|--|----------|----------|
| MO | DAY | YR | MO | DAY | YR | | 2 of 2 | Original |
| 08 | 21 | 92 | 00 | 00 | 00 | | | |