

TEMPEST excellence

SERVICE BULLETIN

Service Bulletin Number: SB-002

Subject: HIGH PRESSURE Fuel Pump Replacement.

Applicability: All HIGH PRESSURE AC / Lycoming diaphragm type fuel pumps serviced or overhauled by Aero Accessories, Inc. beginning on June 18, 1991 thru November 24, 1992, installed on either certified or experimental category aircraft, included in the following list:

<u>MODEL NUMBERS</u>	<u>Mfg</u>	<u>SERIAL NUMBERS</u>
41234	AC	91F006 - 92E050
41234	AC	92E052 - 92K058
40296	AC	92B002 - 92I155
41812	AC	91L142
LW15473	Lycoming	91K049 - 92I151
ROO253-501	Ray Jay	92D136 - 92J016
ROO253-502	Ray Jay	92D120 - 92H075
103586	Ray Jay	92J024

This Bulletin is applicable to all fuel pumps listed above regardless of previous compliance with Service Bulletin SB-001 dated August 21, 1992 and / or previous compliance with Airworthiness Directive 92-20-07 dated September 14, 1992.

This bulletin does not apply to new OEM pumps, or diaphragm type fuel pumps overhauled or serviced by Aero Accessories, Inc. on or after November 25, 1992.

TIME OF COMPLIANCE: **Compliance is required immediately.** Before further flight, to prevent possible engine fuel starvation.

To prevent possible engine fuel starvation - all HIGH Pressure AC / Lycoming diaphragm type fuel pumps or Ray Jay (Rotomaster) diaphragm type fuel pumps serviced or overhauled by Aero Accessories, Inc. beginning on June 18, 1991 and ending on November 24, 1992, included in the above listing of model and serial numbers, must be removed from service immediately - before further flight.

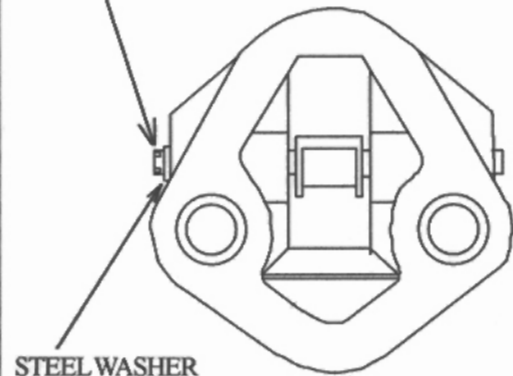
Affected units listed above which are in compliance with Service Bulletin SB-002 will be identified by the characters 'S2' stamped as indicated on Page 2 of this Service Bulletin.

Warranty: Return affected units, freight prepaid to Aero Accessories at the address shown on the bottom of this Service Bulletin. The pumps will be processed immediately at no charge and returned freight prepaid to the sender. A one-year warranty beginning on the date of inspection / repair in accordance with this Service Bulletin.

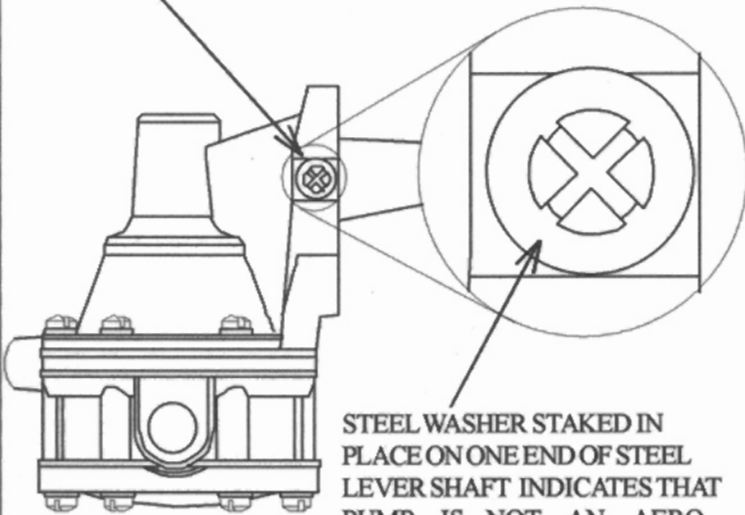
ISSUED			REVISED			 Aero Accessories, Inc. 1240 Springwood Avenue Gibsonville, N.C. USA	PAGE No.	REVISION
MO	DAY	YR	MO	DAY	YR		1 of 2	Original
02	25	93	00	00	00			

Service Bulletin Number: SB-002

SWAGED LEVER PIVOT PIN

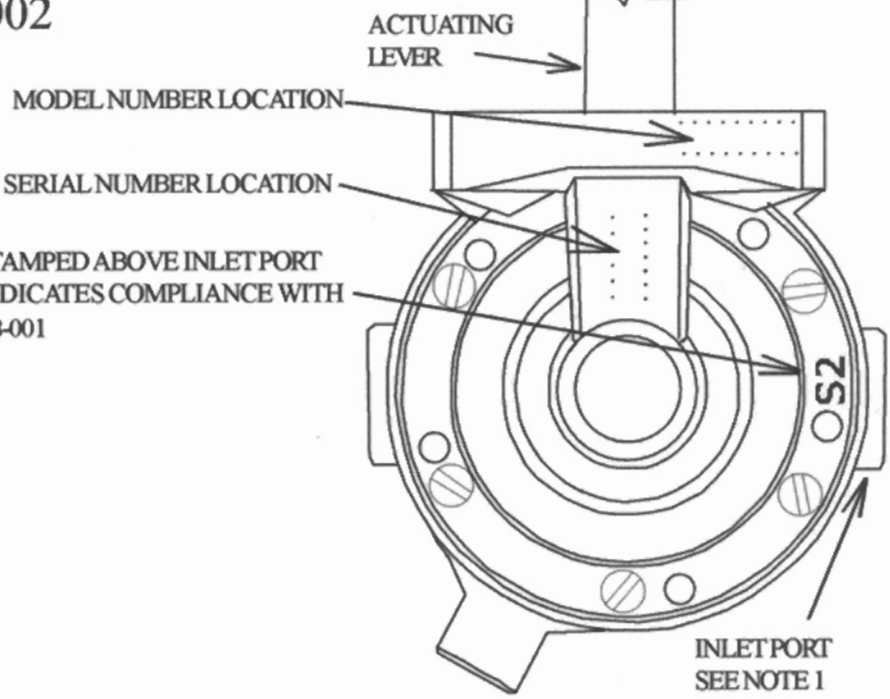


STEEL WASHER ONE END



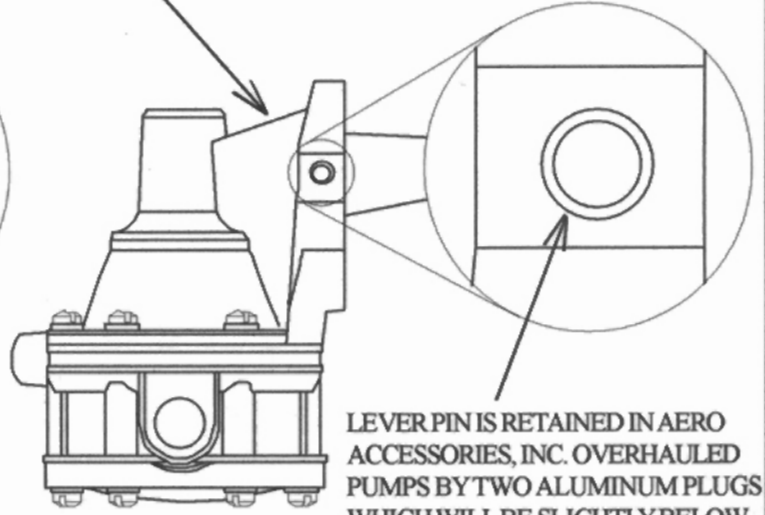
OEM PUMPS

STEEL WASHER STAKED IN PLACE ON ONE END OF STEEL LEVER SHAFT INDICATES THAT PUMP IS NOT AN AERO ACCESSORIES INC. OVERHAULED PUMP



TOP VIEW TYPICAL

SERIAL NUMBER LOCATION



AERO ACCESSORIES

LEVER PIN IS RETAINED IN AERO ACCESSORIES, INC. OVERHAULED PUMPS BY TWO ALUMINUM PLUGS WHICH WILL BE SLIGHTLY BELOW FLUSH WITH THE FLANGE SURFACES ON BOTH SIDES

NOTES:

1. Port locations vary on some model pumps.
2. Some OEM units may use the Aluminum Pin Retaining System also, therefore, before removing a pump, verify that the Serial Number is on the affected list. Aero Accessories, Inc. has never used the steel washer system.

ISSUED			REVISED			 Aero Accessories, Inc. 1240 Springwood Avenue Gibsonville, N.C. USA	PAGE No.	REVISION
MO	DAY	YR	MO	DAY	YR		2 of 2	Original
02	25	93	00	00	00			